



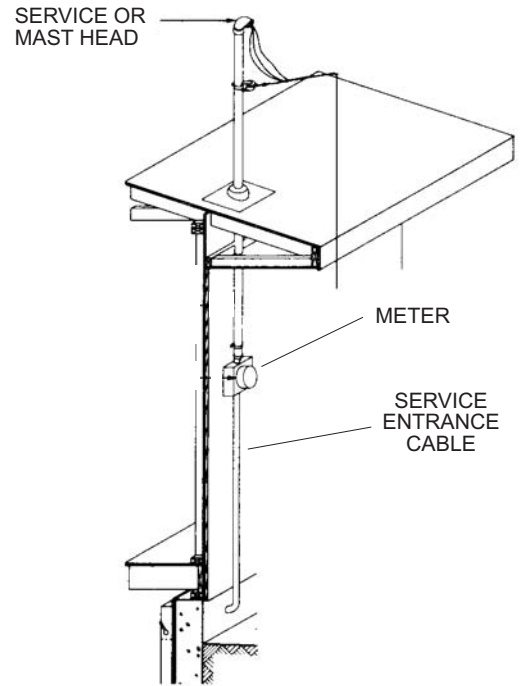
Service Entrance Cable

A deteriorated service entrance cable casing may allow water to infiltrate, follow the ground wire into the meter or into the main service panel. Water then can drip inside causing disruption of service.

We have found over the years numerous cases where water enters a deteriorated service entrance cable causing rust or corrosion to build up eventually disrupting service.

There was one case where about one year after moving in, the owner stated that the dryer would shut-off every time it rained. We found that the prior homeowner had wrapped the deteriorated cable with masking tape and painted it to match the house. Over the next year the heat generated from within the cable dried the tape causing it to peel and exposed the deterioration, this allowed water to enter and drip inside the panel shorting out the dryer circuit.

A home inspector will point out a deteriorated service entrance cable casing during the home inspection. But, a good thorough inspection will also point out a taped or painted cable that can cause problems in the near future.



RE
VE
TI
TE
S
W
E
N

