



## Joist Hanger

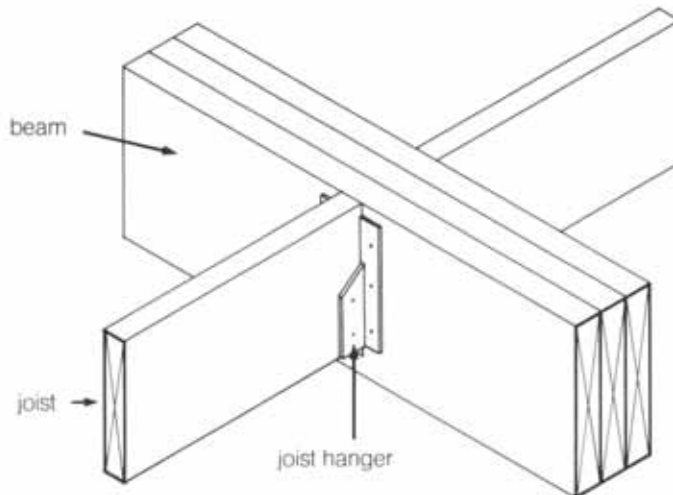


Figure 17. Joist Hanger

Sometimes during a home inspection we will find a joist that is moisture damaged, insect damaged, or just plain loose. Further movement can cause floors above to sag or even collapse. Many times a simple Joist Hanger is all that is needed.

A Joist Hanger is a metal bracket designed to support and secure joists to a beam or in the case of a deck, to the house. A joist hanger costs about \$3.00 and can be easily installed by the home owner.

Don't overlook this simple repair when recommended by your home inspector. Many times this small repair is left for the new homeowner to repair, however, somehow always gets forgotten or put aside. Two or three years later your \$3.00 repair now costs \$500.00 to \$600.00 to repair.



REPAIRS  
NEED  
NEW