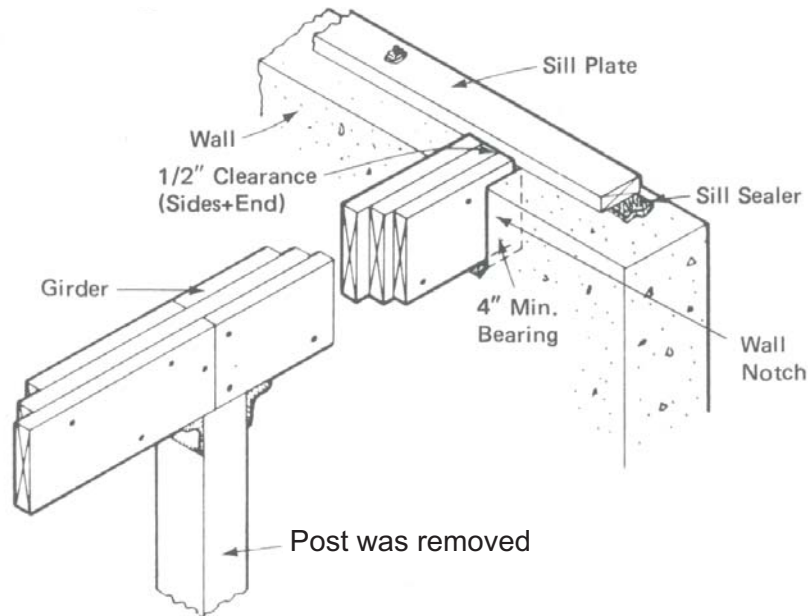




Tip Of The WEEK

www.dchome1.com

Frame Structure



The main beam or girder is made up of 3 or 4 boards put together. The board ends are staggered for strength and supported by the posts below.

During a recent home inspection we found that a post had been removed. According to the seller "It was in the way". Even though there was no movement noted in the floors, walls, or roof line above, this represents a serious defect and potential for collapse.

The overall structure is made up of many components. When any part of the structure is compromised and the an inspector recommends repairs, shoring, or evaluation by a structural engineer...it should not be ignored.



RENTALS