



RE  
TE  
TI  
TE  
S  
N  
E

## Concrete Floors

Concrete floors in residential construction are usually not structural. Basement and garage floor slabs rest on the ground and are usually poured after the house is built. Modern building practices use three inch thick slabs, however, older ones may be as thin as ½ inch. These may be shifted or broken. Replacement is not a priority, structurally, but is often done to make a basement or garage more usable. Many slabs do not slope towards drains. Resloping is rarely done because it is expensive. Installing a water proofing system for the basement is usually more economical.

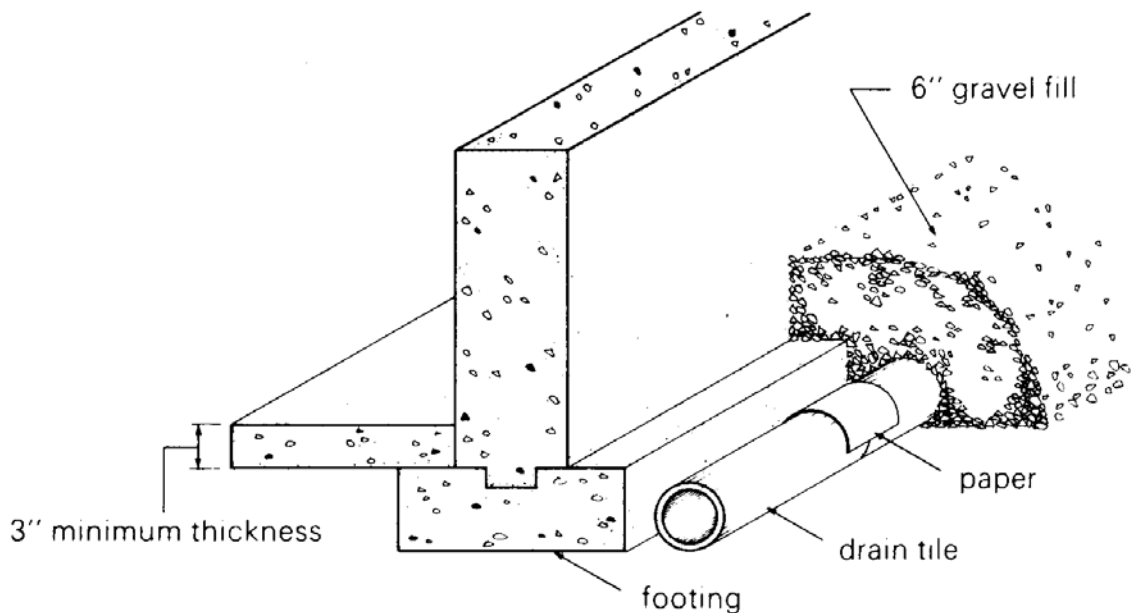


Figure 25. Concrete Basement Floor

