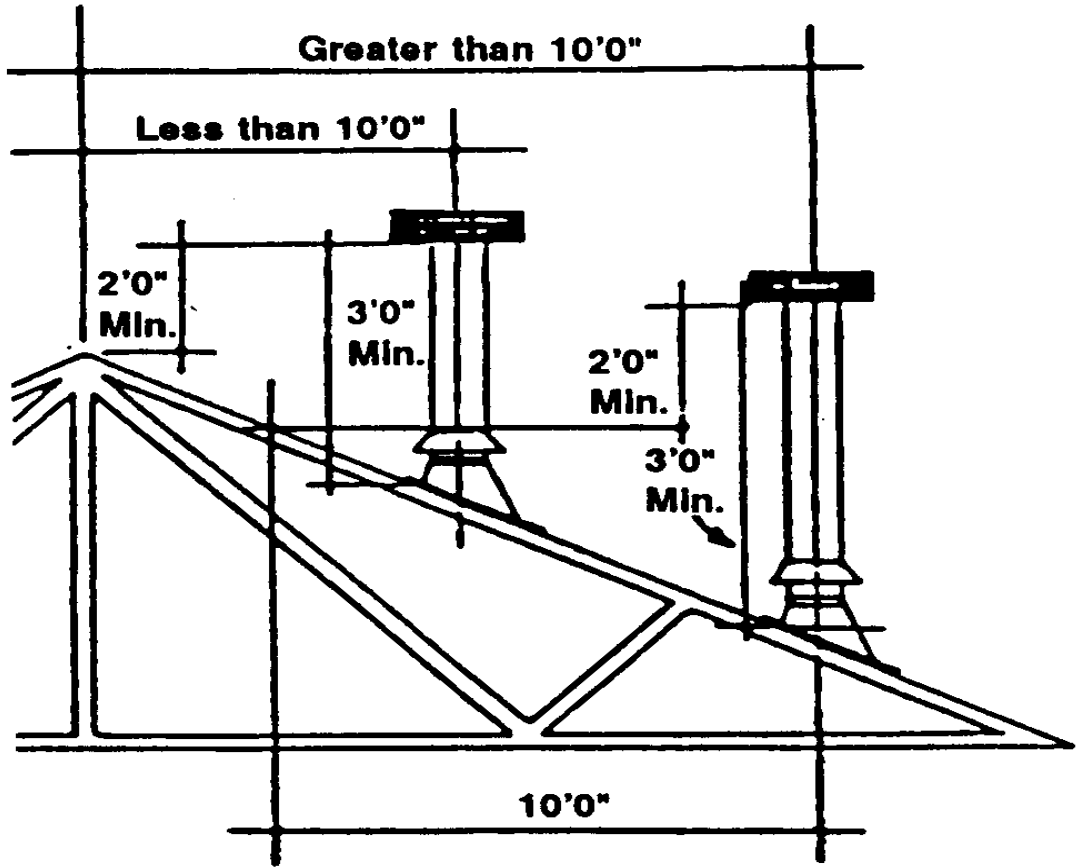




RE  
WE  
T  
T  
E  
S  
I  
V  
E  
N

## Chimney Height



All chimneys are required to be at least 3' above the point where they pass through the roof of the building and at least 2' higher than any portion of the building within 10'.

Your home inspector will use this diagram when evaluating chimney height whether chimneys are brick or metal.

